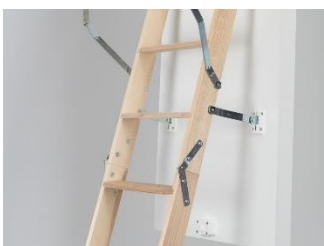
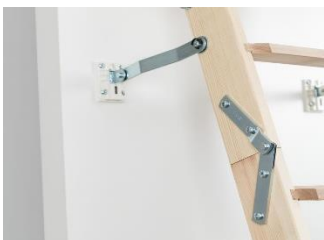




click
FIX®
76
GOLD

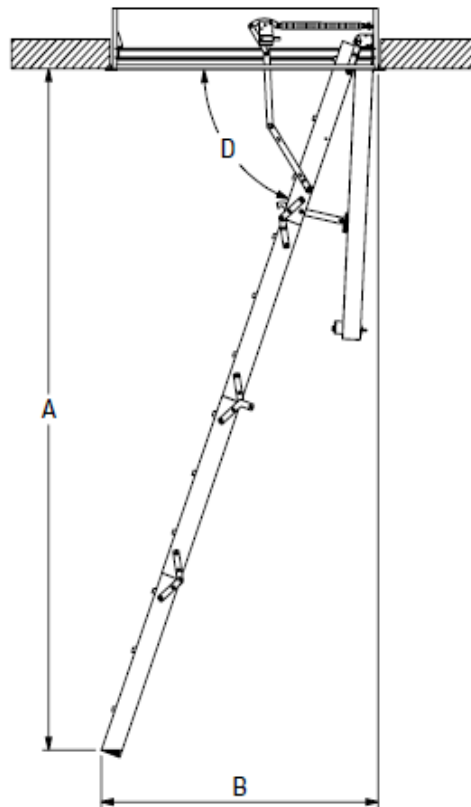
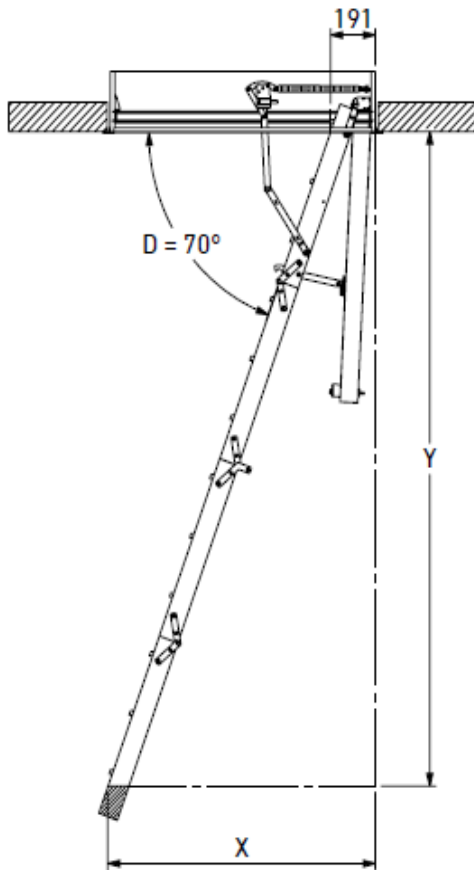
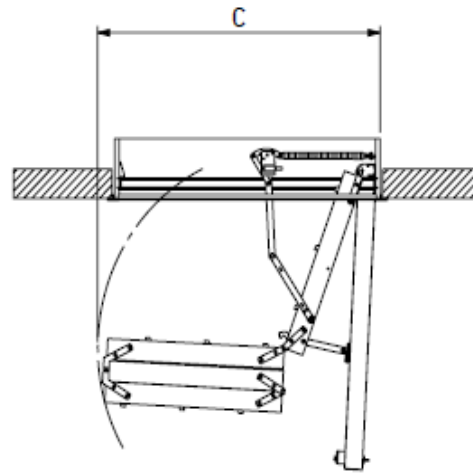
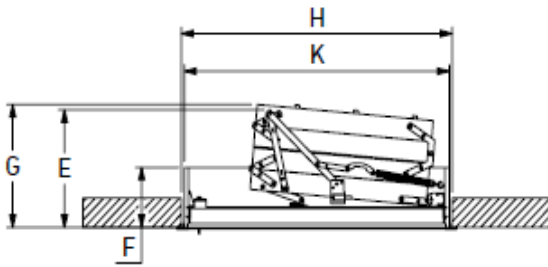


clickFIX® 76 GOLD

- Unique patent pending click FIX® technology
- Quick and easy mounting without tools.
- Reduces heat loss by 36% compared to Profi.
- Reduces heat loss by 70-80% compared to traditional 26 mm trapdoors/loftladders
- 27 kilo, weight reduced by 25% compared with Dolle Profi. No component weighs more than 11 kilo.
- 4-section folding attic ladder - requires no headroom or storage space in the loft.
- Supplied with plastic architraves for extra finish.
- Double draft extruder to ensure optimum tightness.
- Airsealing: Class 4 tested at IFT Rosenheim according to EN 12207.
- Sturdy spring counter balancing system for smooth and effortless operation.
- Nice finish with white-faced trapdoor and primed casing.
- Non-slip treads and plastic feet for extra security.
- Hidden trapdoor hinges make it easy to paint, varnish or clad the trapdoor.
- Specially developed height adjustment system for fine tuning floor-to-ceiling height.
- Easy operation - delivered with push/pull rod made of wood.
- Tested according to EN 14975: - test load 265 kg, - max working load 150 kg.

Technical data →

- **New click FIX® mounting system**
- **Improved insulation**
- **Reduced weight**



$$X = (0,363 \times Y) + 191 \text{ mm}$$

α & $D = 70^\circ$

Casing	
Material:	Laminated spruce - white
Thickness:	18 mm
Height:	240 mm
Trapdoor	
76 mm Sandwich construction 2 x 3 mm white HDF 70 mm polystyrene Insulation coefficient: 0,49W/m ² °C complete loftladder tested.	
Ladder	
Width:	400 mm
Distance between treads:	250 mm
Tread dimensions	
Thickness:	17,5 mm
Depth:	83 mm
Material:	Beech
String dimensions	
Thickness:	21 mm
Depth:	84 mm
Material:	Pine
Air tightness	
Equivalent to EN 12207 Class 4	
EN 14975	
Tested and produced according to EN 14975	

				B	C	D	E	F	G	Model	H	K	
											mm	mm	mm
12	3-3-3-3		2702	2734	1228	1216	69	470	240	491	40644	1150 × 550	1130 × 540
			2721	2753	1179	1204	70						
			2740	2771	1130	1191	71						